

VIBRATORY SOIL COMPACTOR
1107EX | 1107EX-D | 1107EX-PD

CASE
CONSTRUCTION



**A SOLID
BASE**

www.casece.com
EXPERTS FOR THE REAL WORLD
SINCE 1842

1107EX COMPACTOR



EXPERTS FOR THE REAL WORLD **SINCE 1842**

- 1842** Case is founded.
- 1869** The first Case portable steam engine – road construction is born!
- 1958** The first Case 4-WD wheel loader, the W9, is introduced.
- 1969** Case begins skid steer loader production.
- 1985** Case starts production of its first compactor, branded Case-Vibromax.
- 1993** Case signs supply agreement with Ammann/STA for the distribution of Case branded compactors in the USA.

HERITAGE

A TRADITION OF INDUSTRY FIRSTS



- 1998** Case starts joint venture with L&T to produce and distribute 3 models of Compactors in India based on the VIBROMAX technology.
- 2000** Case signs a distribution agreement with Stavostroj, the largest manufacturer of compacting technology in Central and Eastern Europe.
- 2011** Case acquires 50% of its Indian Joint Venture with L&T and the company is renamed Case New Holland Construction Equipment India.
- 2013** Case launches the upgraded DX-Series soil compactor.
- 2016** Renewed EX-Series soil compactor features a new FPT engine.

1107EX COMPACTOR



HIGH EFFICIENCY

Tier 3 engine

The 1107 EX compactor features the new powerful 4-cylinder water cooled Tier 3 engine that delivers up to 110 hp and 16% more torque compared with the previous model.

With more than 3 million units operating all over the world, including the Case 570T backhoe loader, the engine assures an excellent reliability.

The turbocharged engine is equipped with an air aftercooler system with internal EGR that increases the density of the intake air, improving efficiency and reducing fuel consumption.

Coupled with the turbo pre-cleaner, the water cooled engine ensures excellent cooling and high fuel efficiency : -5% compared with the previous model.



FPT S8000: proven technology!



HIGH RELIABILITY

For a durable performance

1. Well-proven compaction technology: high manufacturing quality standards achieved throughout a long experience
2. 4-pins central joints: a heavy duty design solution to make the machine suitable for the most severe applications
3. Turbo pre-cleaner mounted on top of engine compartment: only fresh air is delivered to the engine to assure a perfect combustion
4. Shock absorbers: low vibrations transmitted by the drum to machine components to increase durability

Turbo Pre-Cleaner



1107EX DRUM DRIVE AND VIBRATORY SYSTEM



FIRST-RATE PRODUCTIVITY

Drum drive

The 1107 EX vibratory soil compactor is available in three configurations to meet every surface compaction need:

- The 1107 EX with single drive and smooth drum for multi-purpose activities and standard jobs
- The 1107 EX-D with drum drive and increased traction on slopes and landfills
- The 1107 EX-PD with drum drive and clamp-on pad foot for compacting more cohesive materials such as clay and silt

The optional drum drive system features an additional high torque drive motor mounted on the front drum frame, resulting in excellent gradeability (36%) and optimized traction.



HIGH VERSATILITY

Ready for every mission

2 vibration stages provided by a variable displacement bi-directional axial piston pump with electrical displacement control allow effective compaction of a wide range of soil types.

- Great manoeuvrability:
 - +/- 15° drum oscillating angle
 - 37° steering angle → short steering radius
- Low steering effort contributes to reducing operator fatigue
- Perfect match of frequency and amplitude vibration to the soil, in order to get the best performance
- Easy transport features thanks to the optimal dimensions



MAIN REASONS TO CHOOSE THE 1107EX



FIRST-RATE PRODUCTIVITY

- Perfect match of frequency and amplitude in vibration
- Cross-bar as a load-bearing structure for greater strength and more weight at the front
- The 32 mm thick drum shell provides excellent resistance and uniformity in compaction operations
- The ample steering angles (37° left and right) enable a reduced turning radius (3650 mm) providing excellent machine maneuverability.



HIGH RELIABILITY

- Standard turbo pre-cleaner
- Heavy-duty drum support frame
- World-class components



COMFORTABLE OPERATOR STATION

- Efficient A/C and heating system with 8 louvers
- 90° clockwise rotating seat
- Deluxe Grammer suspension seat with adjustable armrests (ROPS and cab versions)
- Radio predisposition available (cab version)



The centrifugal force is generated by an internal eccentric shaft and a rotating mass: depending on the direction of rotation, the rotating mass is in phase with the eccentric shaft for a maximum centrifugal force or in the opposite position, for a minimum centrifugal force.



SUPERIOR SAFETY

- ROPS / FOPS certified cab and canopy versions available
- Wrap-around front railing on canopy versions
- Ergonomic grab handles for easy and safe cab access
- Front and rear wiper, and two rearview mirrors come as standard (cab version)



HIGH EFFICIENCY

The turbocharged engine is equipped with an air aftercooler system that increases the density of the intake air, improving efficiency and reducing fuel consumption.



SAFE AND EASY MAINTENANCE

Daily and regular maintenance is possible from ground level thanks to the one-piece tilting hood. Reduced downtime and operating costs result in more productivity and better profitability.



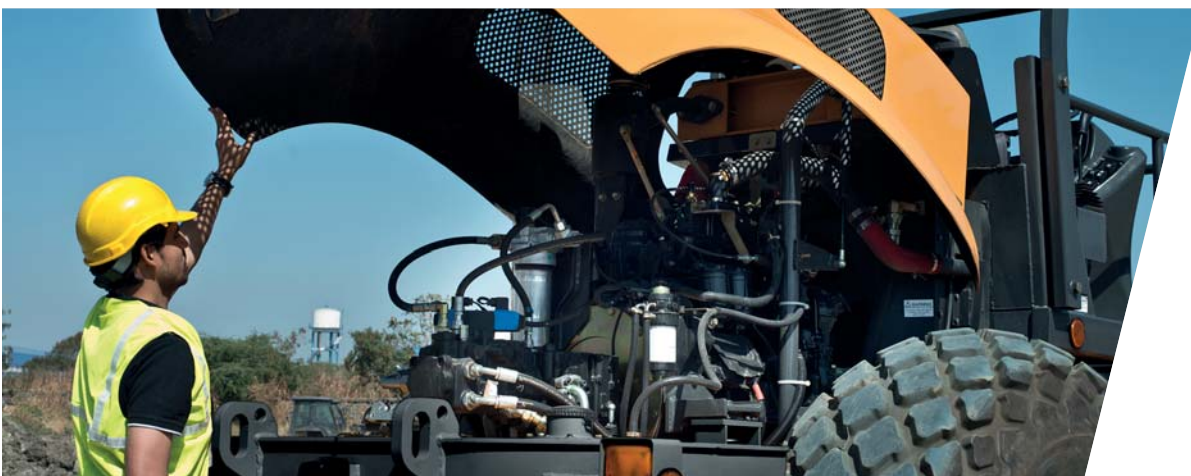
1107EX COMPACTOR



COMFORTABLE AND SAFE OPERATOR STATION

Easy access and excellent visibility

- 90° clockwise rotating seat to ensure good visibility of rear wheel and front drum in every pass
- Easy and safe cab access thanks to the wide steps and robust handles
- Unobstructed glazed area from roof to top allows good visibility around the jobsite and to the drum
- Fully adjustable mechanical suspension Grammer seat for increased Operator comfort
- Efficient A/C and heating system with 8 louvers for perfect cab climate control
- Operator station mounted on rubber shock absorbers to minimize transmitted vibrations
- 2 front lights + 2 head-lamps and 2 rear work-lamps as standard - 2 optional side working lights



SAFE AND EASY MAINTENANCE

Reduced downtime and operating costs

- Easy access from ground level to battery and all main service items, thanks to the one piece engine hood
- Optimized engine layout facilitates the access to the hydrostatic and hydraulics pumps

1107EX OPERATOR STATION AND MAINTENANCE



1107EX COMPACTOR

SPECIFICATIONS

ENGINE

Make _____ FPT
Model _____ S 8000 - TIER III
Type _____ 4 stroke turbocharged aftercooled
Cylinders _____ 4
Bore/stroke _____ 104 x 115
Displacement (l) _____ 3.9
Fuel injection _____ Direct
Fuel _____ High speed diesel
Fuel filter _____ Spin-on type
Air intake _____ Turbocharged with internal EGR
Air filter _____ Dry type with dual element
Engine oil filter _____ Spin-on type
Cooling _____ Liquid
Engine speeds (no load)
- Low: _____ 950±50
- High: _____ 2150±25
Max. power (hp) (Canopy / Cab) _____ 100 / 110
(@rpm) (Canopy / Cab) _____ 2200 / 2300
(ISO3046)
Max. torque (Nm) (Canopy / Cab) _____ 445 / 430
(@rpm) (Canopy / Cab) _____ 1300 / 1400

VIBRATION SYSTEM

Type _____ Variable displacement bi-directional axial piston pump with electrical displacement control
Drive to vibration pump _____ Mechanical
Engine to pump ratio _____ Direct Drive 1:1
Displacement (cc/rev) _____ 34.4
Charge pressure (bar) _____ 27
Vibration motor _____ Fixed displacement mounted on drum

STEERING

Steering system _____ articulated hydrostatic steering
Steering angle _____ 37° on either side
(74° between stop to stop)
Turning radius (inner radius) (m) _____ 3.65
Drum oscillation angle _____ 15°
Tire size _____ 23.1/18-26
8 PR or 12 PR Tubeless

ELECTRICAL SYSTEM

Alternator output (A) (Canopy / Cab) _____ 65 / 105
Battery (V/Ah) _____ 12 / 130

SERVICE CAPACITIES

Fuel tank (l) _____ 235
Hydraulic tank (l) _____ 70
Engine crank case (l) _____ 9.1
Engine coolant (l) _____ 15

PROPULSION

Type _____ Infinitely variable hydrostatic drive with variable displacement pump
Drive pump _____ Mechanical
Engine to pump ratio _____ Direct drive 1:1
Type _____ Variable displacement bi-directional axial piston pump with manual displacement control
Displacement (cc/Rev) _____ 75
Flow @rated engine (LPM) _____ 156
Charge pressure (bar) _____ 27

Drive motors

Type _____ High speed low torque driving motor mounted on rear axle input shaft
For drum drive (optional) _____ Low speed high torque drive motor mounted on front drum frame along with rear axle motor
Hydraulic oil filter _____ Cartridge
Axle _____ Heavy duty with integrated parking brake mechanism and out board planetary
Parking brake _____ Spring applied hydraulically released
Engagement _____ Operate on /off parking brake switch on instrument panel, engine stop

Machine speed:

- Working speed (km/h) _____ 0-5.5
- Travel speed (km/h) _____ 0-11.5
Final drive _____ High torque out board planetary

Gradeability

Without drum drive (%) _____ 31 (17°)
With drum drive (%) _____ 36 (20°)
Intermittant (%) _____ 40

INSTRUMENTATION

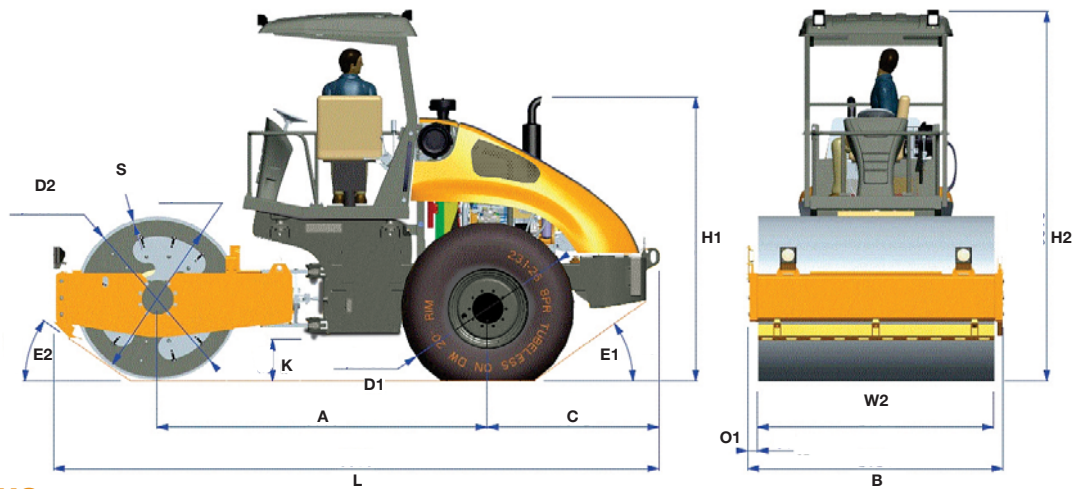
Indicators _____ Parking brake, high beam, low beam, position, battery not charging, 2-speed, pre-heater, turn signal left & right, neutral
Gauges _____ Digital hour meter, water temp, fuel level, engine rpm
Warning lights/alarms _____ Coolant overheat, hydraulic oil filter clog, low lube oil pressure, air filter clog

STANDARD EQUIPMENT

Sun roof, horn, front and rear working lights, 90° rotating operator seat, guard rail structure on operator's platform, tilting engine hood, vandal guard, IP67 weather proof rocker switches, instrument cluster, glove box for operator, easy split design of canopy legs for transportation, 32 mm drum shell thickness.

SPECIFICATIONS

GENERAL DIMENSIONS



DIMENSIONS

A	Wheel base	mm	3003
B	Overall width of the machine	mm	2324
C	Rear overhang	mm	1562
D1	Diameter of the rear tyres	mm	1380
D2	Diameter of the drum	mm	1500
H1	Height of silencer from ground level	mm	2561
H2	Overall height of the machine (Canopy / Cab)	mm	3373 / 3341
K	Ground clearance	mm	382
L	Overall length of the machine	mm	5508
O1	Side overhang	mm	87
S	Drum shell thickness	mm	32
W2	Overall width of the drum	mm	2150
E1	Rear departure angle	°	36
E2	Front departure angle	°	35

OPERATING DATA

			1107 EX	1107 EX-D	1107 EX-PD
Non-ROPS Canopy version	Operating weight without operator	kg	10780	11030	12460
	Front axle load	kg	6220	6470	7900
	Rear axle load	kg	4560	4560	4560
	Static linear load front	kg/cm	29	30	-
ROPS Canopy version	Operating weight without operator	kg	11095	11345	12775
	Front axle load	kg	6210	6460	7890
	Rear axle load	kg	4885	4885	4885
	Static linear load front	kg/cm	29	30	-
Cab version	Operating weight without operator	kg	11200	11450	12880
	Front axle load	kg	6370	6620	8050
	Rear axle load	kg	4830	4830	4830
	Static linear load front	kg/cm	30	31	-

VIBRATION SYSTEM

		1107 EX		1107 EX-D		1107 EX-PD
		1	2	1	2	1
Frequency	Hz	31	34	31	34	30
Amplitude	mm	1.8	0.8	1.8	0.8	1.3
Centrifugal force	kg	26887	14888	26887	14888	25180
Max. applied force (Non-ROPS version)	kg	33092	21093	33357	21358	33080
Max. applied force (ROPS version)	kg	33097	21098	33347	21348	33070
Max. applied force (Cab version)	kg	33257	21258	33507	21508	33230

www.casece.com

EXPERTS FOR THE REAL WORLD
SINCE 1842

CASE
CONSTRUCTION



**CASE CONSTRUCTION EQUIPMENT
CONTACT INFORMATION**

CNH INDUSTRIAL - TORINO
Via Plava 80
10135 Torino
Italy

CNH INTERNATIONAL S.A. - LUGANO
Riva Paradiso 14
6902 Paradiso - Lugano
Switzerland

CNH INDUSTRIAL - MIDDLE EAST
Dubai Regional Representative Office
Dubai Airport Free Zone, Building 2W
Office 201 - PO Box 54588
Dubai, United Arab Emirates

CNH INDUSTRIAL - SOUTH AFRICA
N1 Business Park
Slate Avenue
Cosmosdal
South Africa

NOTE: Standard and optional fittings can vary according to the demands and specific regulations of each country. The illustrations may include optional rather than standard fittings - consult your Case dealer. Furthermore, CNH Industrial reserves the right to modify machine specifications without incurring any obligation relating to such changes.

Conforms to directive 2006/42/EC

